

Part 1. LED sources / PCB board

Power	Type	White	Tunable White	RGBW	6C	8C
50W	Fresnel, PC, Profile	COB Scheda PCB 1				
100W	Fresnel, PC, Profile	COB Scheda PCB 1				
200W	Fresnel, PC, Profile	COB Scheda PCB 1	ARRAY Scheda PCB 2	ARRAY Scheda PCB 2	ARRAY Scheda PCB 2	
300W	Fresnel, PC, Profile, Followspot	ARRAY Scheda PCB 2	ARRAY Scheda PCB 2	ARRAY Scheda PCB 2	ARRAY Scheda PCB 2	
	Cyclorama			ARRAY Scheda PCB 2		
700W	Fresnel, PC, Profile, Followspot	ARRAY Scheda PCB 2	ARRAY Scheda PCB 2			ARRAY Scheda PCB 2

Part 2. Firmware / User manuals / DMX charts

Power	Type		White (1)	Tunable White (2)	RGBW (3)	6C (4)	8C (5)
50W	Fresnel, PC, Profile	A	V 1.09 User manual 1A DMX chart 1°				
100W	Fresnel, PC, Profile		V 1.09 User manual 1A DMX chart 1°				
200W	Fresnel, PC, Profile		V 1.09 User manual 1A DMX chart 1°	V 1.06 User manual 2 DMX chart 2	V 1.01 User manual 3 DMX chart 3	V 1.22 User manual 4 DMX chart 4	
300W	Fresnel, PC, Profile, Followspot	B (WIRELESS)	V 1.03 User manual 1B DMX chart 1B	V 1.06 User manual 2 DMX chart 2	V 1.01 User manual 3 DMX chart 3	V 1.22 User manual 4 DMX chart 4	
	Cyclorama				V 1.01 User manual 3 DMX chart 3		
700W	Fresnel, PC, Profile, Followspot		V 1.03 User manual 1B DMX chart 1B	V 1.06 User manual 2 DMX chart 2			?
STAND ALONE							

Part 3. Safety instruction

This manual contains all the safety information required for the appropriate use of the fixture. It shall be carefully read it and stored for future requirements.

Spotlight sc will not be responsible for any damage to the fixture itself, to other objects or people due to improper installation or use of the fixture either than hereinafter specified.




Additionally, you are required to download the User Manual from www.spotlight.it for a comprehensive knowledge al each and all functions.

UNPACKING

Remove the fixture from its package and make sure no damage incurred during transport. In the event of damages, a report or claim shall be issued to the transport agent and the seller to start the repair or replacement process.

PRINTED NOTES ON THE FIXTURES

A label of the fixture' side displays the following information:

- Model part number
- Mains a.c.~ voltage (V)
- Power (W)
- Frequency (Hz)
- Protection rate (IP 20)
- ta max: maximum ambient temperature allowed (°C)
- t max: external surface temperature at thermal regime (°C)
-X m minimum recommended distance between the fixture and the lighted object (m)
-  **Risk Group 2**, in compliance with EN62471. Do not face directly the light source as it might damage your eyesight.
-  **Photo-Biological safety**: do not stare at the light source while functioning
-  **Dispose of waste**: in compliance to 2012/19/EU, this fixture shall be disposed according to proper waste-class regulation

INSTALLATION

- This fixture is designed only for professional use, not for domestic use or handling
- This fixture can be either hung from top or fitted onto a tripod
- Make sure the hanging point is safe and stable. Additionally add a safety rope if required by local safety regulation
- Do not focus the light beam straight onto somebody's eyes

ELECTRICAL CONNECTION

Electrical wiring, plugging and cabling shall be made by professional or qualified technicians. Before and during installation, attend to the following procedures:

- Check that Mains Voltage and Frequency comply with what printed on the fixture's label
- Always check the Mains line is properly grounded
- Check the working power of the fixture, as printed on its label, to prevent from line overload
- This fixtures is foreseen for indoor use: it shall be protected from rain and humidity if used under different conditions (IP 20)

MAINTENANCE

Do not open the fixture before disconnecting from the mains: an electrical shock might occur. A complete inspection shall be made once a year to check the electrical and mechanical parts' integrity and the software upgrades. Repairs shall be made by the manufacturer only or its appointed after-sale service center. After cleaning, the lenses shall be re-assembled and, if scratched or ruined, they shall be replaced with original parts.

COMPLIANCE

This products complies with the European Directives:

- 2014/35/EU: Safety on Low Voltage Directive LVD
- 2014/30/EU: Electromagnetic Compatibility EMC
- 2011/65/EU: Restriction of Hazardous Substances Directive RoHS



Part 4. User manual White 50-100-200W

MENU

When switched on, the installed software version is displayed, followed by the display of the default settings, ie the currently set operating mode.

When switched on, the installed software version is displayed, followed by the display of the default settings, ie the currently set operating mode:

- Manual, for use with a potentiometer
- 1-3-channel mode, for DMX/RDM mode followed by the DMX address assigned to the unit.

By pressing the ENTER key you access the settings and browse through the submenus by pressing the NEXT and PREV buttons, which in case of value type entries will have the function of increasing or decreasing the values; the changes can be confirmed with the ENTER button or canceled with the BACK button.



OPERATING MODE

All the luminaires are designed to be used in different operating modes:

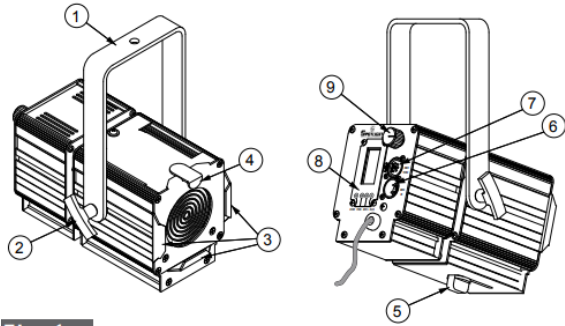
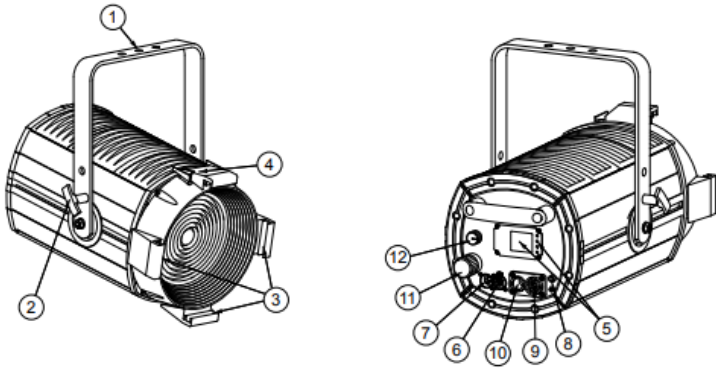
- LOCAL POTENTIOMETER
- DMX
- RDM

All the fixtures are equipped with a temperature control of the LED and of the driver motherboard, which, to avoid an early deterioration in case of overtemperature, regulates the light intensity

Input priority is given:

- in absence of the DMX signal, the value set with the potentiometer will be active
- when there is the DMX signal the relevant signal is followed and the potentiometer will be ignored
- if the DMX signal is eliminated or lost, the DMX set level is kept until you act on the potentiometer, which will set the new value

HARDWARE

 <p>Fig. 1</p>	<ul style="list-style-type: none"> ① Suspension yoke ② Handle for tilt regulation ③ Accessory slots ④ Accessory locking spring ⑤ Zoom adjustment knob ⑥ DMX IN connector ⑦ DMX THRU connector ⑧ Display and menu buttons ⑨ Light Intensity adjustment knob (in Manual mode)
	<ul style="list-style-type: none"> ① Suspension yoke ② Handle for tilt regulation ③ Accessory guides ④ Accessory locking spring ⑤ Zoom adjustment knob ⑥ DMX IN connector ⑦ DMX THRU connector ⑧ Display buttons ⑨ Power IN (Powercon connector) ⑩ Power OUT (Powercon connector) ⑪ Light intensity adjustment knob (in Local Potentiometer mode) ⑫ Fuse holder

SETTINGS

Voce		Valori	Description
DMX SETTINGS	DMX ADDRESS	1 (default) ... xxx	Dmx address NOTE: The max value depends on the personality
	DMX PERSONALITY	See related table	
OPTIONS	LED DELAY	OFF 30 ms 60 ms 120 ms (default) ... 240 ms	Delay time on LED output. This parameter is ignored when you select a personality containing the "DELAY" channel
	DIMMING CURVE	LINEAR QUADRATIC (default)	Gamma correction
	OUTPUT FREQUENCY	500 Hz 800 Hz 1000 Hz (default) 1500 Hz 3000 Hz 5000 Hz 10000 Hz 15000 Hz 20000 Hz	PWM LED frequency
	LED BOOST	ON (default) OFF	Set the maximum (ON) or nominal (OFF) current value. The absolute values can be set in the Factory menu. When confirmed the luminaire switches off for 1 second The Boost function allows about a 20% increase in light output, but it is exclusively compatible with the FAN MODE function setting in AUTO mode
	FAN MODE	AUTO (default) STANDARD SILENT	AUTO: the fans are automatically adjusted based on the LED temperature. STANDARD: the fans are always kept at the default value. SILENT: the fans are always kept at the minimum value. NOTE: For some dmx modes this value is ignored.
	DISPLAY ROTATION	STANDARD (default) ROTATED	180° rotation of the display. Standard = keys to the right of the display
	DISPALY STANDBY	ON OFF (default)	By selecting ON the display turns off automatically after 60 secs of inactivity
	DEFAULT SETTINGS		It sets the default for all the user parameters
	FACTORY SETTINGS		Factory default setting NOTE: Not for final users
	INFO	LED TEMPERATURE	°C
BOARD TEMPERATURE		°C	Motherboard edges temperature
LED TIME		hr - min	Output operation time
UNIT TIME		hr - min	Unit operation time
SOFTWARE VERSION		V. Release date	

DMX PERSONALITIES (DMX CHART 1A)

B. 1ch / 8BIT

	Function	DMX value	Description
1 ch	DIMMER	0..255	from OFF (0) to full (255)

C. 2ch / 8BIT

	Function	DMX value	Description
1 ch	DIMMER	0..255	from OFF (0) to full (255)
2 ch	STROBO	0 1..255	OFF from slow (3,86 s) to fast (30 ms)

D. 3ch / 16BIT

	Function	DMX value	Description
1 ch	DIMMER	0..255	from OFF (0) to full (255)
2 ch	DIMMER FINE	0..255	from OFF (0) to full (255)
3 ch	STROBO	0 1..255	OFF from slow (3,86 s) to fast (30 ms)

Part 11. RDM (Remote Device Management)

Si tratta di uno standard internazionale uguale per tutti i fari (Spotlight + marchi concorrenti)

Per funzionare richiede necessariamente una console RDM

(ANSI E1.20 - 2010)

Plasa/ESTA Denomination	Number of Channels
DEVICE_INFO	Reading of the following parameters: - RDM protocol version - Device Model ID - Product category - ID version sw - Number of DMX channels - DMX mode index - DMX address - Number of sub-devices - Number of sensors
IDENTIFY_DEVICE	LED power on - allowing fixture identification
DMX_START_ADDRESS	DMX address setting/reading
SOFTWARE_VERSION_LABEL	Text description version sw
SUPPORTED_PARAMETERS	List of supported parameters
DMX_PERSONALITY	DMX mode setting
DMX_PERSONALITY_DESCRIPTION	Obtaining textual description of DMX mode
DEVICE_MODEL_DESCRIPTION	Text description of the device model
MANUFACTURER_LABEL	Text description manufacturer
SENSOR_DEFINITION SENSOR_VALUE	Display of the values read by the temperature sensor, expressed in tenths of Celsius degree