

HALLED Series

85W - Downlight

(ver. 2023/02)



SOURCE

- 85W LED COB
- Source life expectancy: > 50.000 h

	Luminous flux	Colour rendering		
		CRI	TLCI	TM-30
WW	9'917 lm	>97	97	94
CW	10'549 lm			
NW	11'314 lm			

SOFTWARE

- ESD: 8 or 16bit extra soft dimming
- 2 selectable dimmer curves
- Delay in turning on and off
- PWM LED 500Hz-20KHz
- Led boost
- Storage and factory recovery
- Upgradable Firmware via DMX/USB tool

CONTROL

- Protocols: DMX512, RDM (DALI optional)
- Local potentiometer
- Reversible Graphics Display
- Standby-shutdown Display
- DMX channels 1 / 2 / 3 channel

THERMAL MANAGEMENT

- High efficiency heat sink system without fan
- No heat load from LED engine towards electronic and vice-versa avoiding the risk of failure due to overheating
- Ta max 40°C

OPTICS

- Beam angle: 29°, 46°, 72°
- 120mm High-quality pc aluminum coated optics
- Focus: fix

HOUSING

- Highly resistant body in extruded aluminum
- Finishing: Black
- IP 20

CONNECTION AL 55/90 DMX

- Power: PowerCON In/Out panel connectors
- DMX: XLR 5-pole In/Out panel connectors

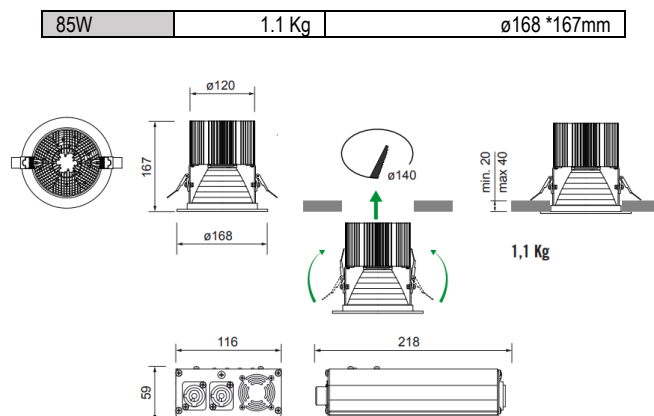
ELECTRICAL AL 55/90 DMX

- Power supply: 100-240 V – 50/60 Hz
- Power consumption 60/100 W
- PF>0.94/230VAC PF>0.98/115VAC at full load

OPTIONS

- Springs suspension version
- Yokes suspension version

DIMENSIONS



COMPLIANCE

- CE
- EN 60598-1; EN 60598-2-17
- SSL Licensing Program
- Manufactured in Italy with Quality System ISO 9001:2015

DMX chart

	WHITE		
	1CH	2CH	3CH
	8 BIT	8 BIT	16 BIT
1 ch	DIMMER	DIMMER	DIMMER
2 ch		STROBO	DIMMER FINE
3 ch			STROBO

HALLED Series

85W - Downlight

(ver. 2023/02)



4 m	6 m	8 m	10 m	12 m
-----	-----	-----	------	------

Model	Type	CT	CRI	Beam	Lux	Ø Beam	Lux	Ø Beam	Lux	Ø Beam	Lux	Ø Beam	Lux	Ø Beam	(measure at)
HALLED 85	WW	3000K	97	29	1375	2,1	611	3,1	343	4,1	220	5,1	152	6,2	3000K
				46	865	3,4	384	5,1	216	6,7	138	8,4	96	10,1	
				72	480	5,8	213	8,6	120	11,5	76	14,4	53	17,3	
	NW	4000K	97	29	1463	2,1	650	3,1	365	4,1	234	5,1	162	6,2	4000K
				46	920	3,4	408	5,1	230	6,7	147	8,4	102	10,1	
				72	511	5,8	227	8,6	127	11,5	81	14,4	56	17,3	
	CW	5600K	97	29	1568	2,1	696	3,1	392	4,1	250	5,1	174	6,2	5600K
				46	986	3,4	438	5,1	246	6,7	157	8,4	109	10,1	
				72	547	5,8	243	8,6	136	11,5	87	14,4	60	17,3	