

Serie Lucciola	Serie Architectural	Serie Halled	Serie Hyperion						Serie Cyclorama
30W Pinspot	50W Fresnel, PC, Profile	85W Downlight	100W Fresnel, PC, Profile	200W Fresnel, PC, Profile	300W Fresnel, PC, Profile	300W Followspot	700W Fresnel, PC, Profile	700W Followspot	300W Cyclorama

SOURCE

- 85W LED COB
- Source life expectancy: > 50.000 h

	Luminous flux	Colour rendering		
		CRI	TLCI	TM-30
WW	9'917 lm	>97	97	94
CW	10'549 lm			
NW	11'314 lm			

CONTROL

- Protocols: DMX512, RDM (DALI optional)
- Local potentiometer
- Reversible Graphics Display
- Standby-shutdown Display
- DMX channels 1 / 2 / 3 channel

OPTICS

- Beam angle: 29°, 46°, 72°
- 120mm High-quality pc aluminum coated optics
- Focus: fix

CONNECTION

- Power: PowerCON In/Out panel connectors
- DMX: XLR 5-pole In/Out panel connectors

OPTIONS

- Springs suspension version
- Yokes suspension version

COMPLIANCE

- CE
- EN 60598-1; EN 60598-2-17
- SSL Licensing Program
- Manufactured in Italy with Quality System ISO 9001:2015

SOFTWARE

- ESD: 8 or 16bit extra soft dimming
- 2 selectable dimmer curves
- Delay in turning on and off
- PWM LED 500Hz-20KHz
- Led boost
- Storage and factory recovery
- Upgradable Firmware via DMX/USB tool

THERMAL MANAGEMENT

- High efficiency heat sink system without fan
- No heat load from LED engine towards electronic and vice-versa avoiding the risk of failure due to overheating
- Ta max 40°C

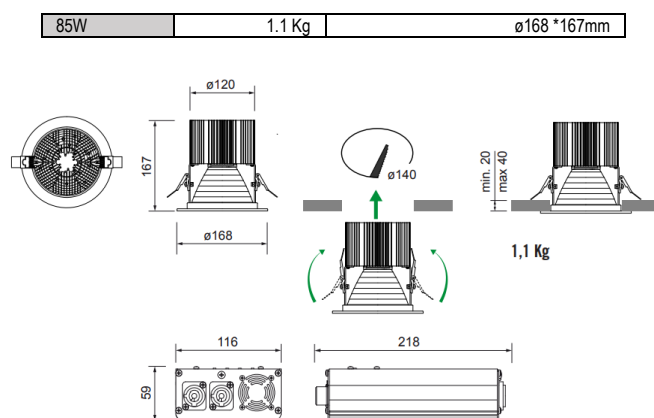
HOUSING

- Highly resistant body in extruded aluminum
- Finishing: Black
- IP 20

ELECTRICAL

- Power supply: 100-240 V – 50/60 Hz
- Power consumption 60/100 W
- PF>0.94/230VAC PF>0.98/115VAC at full load

DIMENSIONS



Serie Lucciola	Serie Architectural	Serie Halled	Serie Hyperion						Serie Cyclorama
30W Pinspot	50W Fresnel, PC, Profile	85W Downlight	100W Fresnel, PC, Profile	200W Fresnel, PC, Profile	300W Fresnel, PC, Profile	300W Followspot	700W Fresnel, PC, Profile	700W Followspot	300W Cyclorama

DMX PERSONALITIES

White			
	1CH	2CH	3CH
	8 BIT	8 BIT	16 BIT
1 ch	DIMMER	DIMMER	DIMMER
2 ch		STROBO	DIMMER FINE
3 ch			STROBO

LIGHT OUTPUT

4 m	6 m	8 m	10 m	12 m
-----	-----	-----	------	------

Model	Type	CT	CRI	Beam	Lux	Ø Beam	Lux	Ø Beam	Lux	Ø Beam	Lux	Ø Beam	Lux	Ø Beam	(measure at)
HALLED 85	WW	3000K	97	29	1375	2,1	611	3,1	343	4,1	220	5,1	152	6,2	3000K
				46	865	3,4	384	5,1	216	6,7	138	8,4	96	10,1	
				72	480	5,8	213	8,6	120	11,5	76	14,4	53	17,3	
	NW	4000K	97	29	1463	2,1	650	3,1	365	4,1	234	5,1	162	6,2	4000K
				46	920	3,4	408	5,1	230	6,7	147	8,4	102	10,1	
				72	511	5,8	227	8,6	127	11,5	81	14,4	56	17,3	
	CW	5600K	97	29	1568	2,1	696	3,1	392	4,1	250	5,1	174	6,2	5600K
				46	986	3,4	438	5,1	246	6,7	157	8,4	109	10,1	
				72	547	5,8	243	8,6	136	11,5	87	14,4	60	17,3	